

Shower drain LINEAR 50

951-0004-25



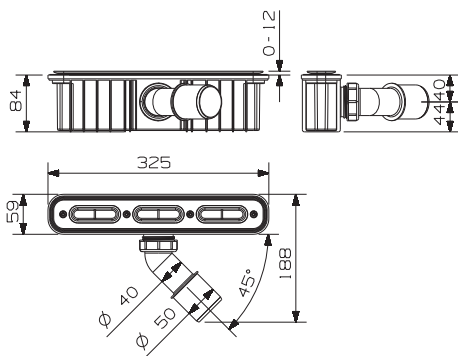
MAIN DATA	
Width	325 mm
Depth	59 mm
Height	84 mm
Weight	1.5 kg

DESCRIPTION

High-Performance Shower drain LINEAR 50 for Barcelona Trays (Low-Profile Series). Ensure the flawless operation of your shower area with this specialized drainage kit, specifically engineered for the ultra-slim Barcelona trays. This siphon combines a compact footprint for easy installation with a high-flow capacity for maximum comfort.

Key Benefits & Features:

- Ultra-Slim Design: Thanks to its minimal mounting height, this siphon is the perfect choice for flush-to-floor installations of Barcelona trays.
- High Flow Rate: "Direct-flow" technology ensures that water never pools on the tray surface, even when using high-pressure rainfall showerheads.
- Anti-Odor System: An integrated water trap (P-trap) effectively blocks sewer gases, keeping your bathroom smelling fresh and clean.
- Easy Maintenance: The smart internal design allows you to remove the collection cup effortlessly to clear hair and debris without the need for tools.



SPECIFICATION	
Product Type	shower drain
Material	ABS
Water flow rate	> 30 l/min
Recommended MIN floor recess for drain	350 x 85x 90 mm
Outlet with connecting nut diam	40 mm

PRODUCT DRAWING

